

GMX500 Compact Weather Station

The MaxiMet range of compact weather stations is designed and manufactured by Gill Instruments. MaxiMet products use reliable, high quality instruments to provide accurate meteorological information in a wide variety of applications.

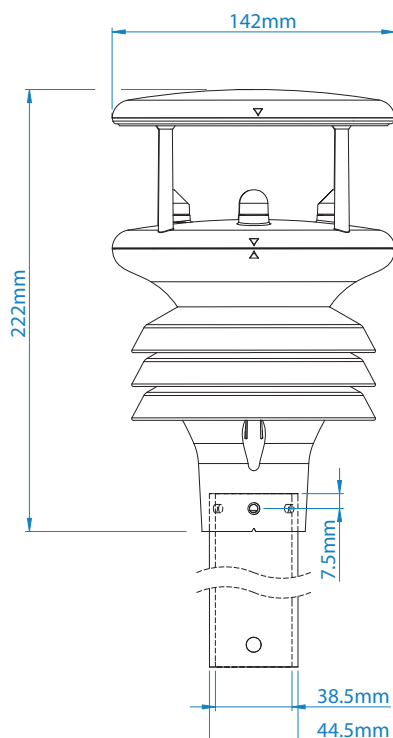
GMX500 Features

Temperature, humidity, pressure. A combined instrument mounted inside three double louvered, naturally aspirated radiation shields with no moving parts. The results are high performance across each measurement over long periods of time.

Wind. Wind speed and direction measurements are provided via an ultrasonic sensor and the addition of an electronic compass provides apparent wind measurements. Average speed and direction together with WMO averages and gust data is also provided. Add GPS (optional) to provide true wind and other features.



| TEMP, HUMIDITY & PRESSURE | WIND | GPS (OPTION) | PARAMETERS |
|--------------------------------------------------------------------------------------------------------------------------------------------------------------------------------------------------------------------------------------|------------------------------------------------------------------------------------------------------------------------------------------------------------------------------|----------------------------------------------------------------------------------------------------------------------------------------------------------------------------------------------------|--------------------------------------------------------------------------------------------------------------------------------------------------------------------------------------------------------------------------------------------------------------------------------------------------------------------------------------------------------------------------------------------------------------------------------------------------------------------------------------------------------------------------------------------------------------------|
| <ul style="list-style-type: none"> Air Pressure / Temperature Relative / Absolute humidity Naturally aspirated UV stable radiation shield Protection against wind-blown precipitation/dust | <ul style="list-style-type: none"> Wind speed & direction Apparent and true wind (with GPS) WMO wind averages and gust Compass | <ul style="list-style-type: none"> Height above sea level <i>m</i> Sunrise/sunset Position of the sun Twilight Solar Noon MSL pressure | <ul style="list-style-type: none"> Temperature °C / °F / °K Relative humidity % Rh Barometric pressure hPa, mbar, mm Hg, In Hg Wet bulb temperature °C / °F / °K Absolute humidity g/m³ Air density kg/m³ Wind speed <i>m/s, km/hr, mph, kts, ft/min</i> Wind direction ° Wind chill °C / °F / °K True/apparent wind Angle of Tilt Outputs <i>RS232, 422, 485 (ASCII), SDI-12, NMEA, MODBUS, Analogue (option)</i> |



All MaxiMet Models Feature

- Quality Measurements
- Lightweight and Robust
- Low Power Mode
- Free of Charge Software
- Gill Proven Reliability
- Compact Integrated Design
- Real Time Output
- Easy Installation
- Gill Customer Support
- 2 Year Warranty

Applications

- Building and Industrial Controls
- Authorities
- Transport
- Coastal
- Agricultural
- Safety
- Educational
- Commercial
- Energy

| WIND SPEED | |
|--------------------|-----------------------------------|
| Range | 0.01 m/s to 60 m/s |
| Accuracy | ± 3% to 40 m/s, ± 5% to 60 m/s |
| Resolution m/s | 0.01 |
| Starting Threshold | 0.01 m/s |
| Sampling Rate | 1 Hz |
| Units | m/s, km/hr, mph, kts, ft/min |

| WIND DIRECTION | |
|--------------------|----------------------------------|
| Range | 0-359° |
| Accuracy | ± 3° to 40 m/s ± 5° to 60 m/s |
| Resolution | 1° |
| Starting Threshold | 0.05 m/s |
| Sampling Rate | 1 Hz |
| Units | Degrees |

| TEMPERATURE | |
|---------------|----------------|
| Range | -40°C to +70°C |
| Resolution | 0.1 |
| Accuracy | ± 0.3°C @ 20°C |
| Sampling Rate | 1 Hz |
| Units | °C, °F, °K |

| HUMIDITY | |
|---------------|--------------------------|
| Range | 0-100% |
| Resolution | 1% |
| Accuracy | ± 2% @ 20°C (10%-90% RH) |
| Sampling Rate | 1 Hz |
| Units | % Rh, g/m ³ |

| DEW POINT | |
|---------------|----------------|
| Range | -40°C to +70°C |
| Resolution | 0.1 |
| Accuracy | ± 0.3°C @ 20°C |
| Units | °C, °F, °K |
| Sampling Rate | 1 Hz |

| PRESSURE | |
|---------------|-----------------------|
| Range | 300 to 1100 hpa |
| Resolution | 0.1 hPa |
| Accuracy | ± 0.5 hPa @ 25°C |
| Sampling Rate | 1 Hz |
| Units | hPa, mbar, mmHg, inHg |

| OUTPUTS | |
|---------------------|---------------------------------------------------------|
| Output rate | 1/s, 1/min, 1/hr |
| Digital Comms Modes | Serial RS232, RS422, RS485, SDI-12, NMEA, MODBUS, ASCII |
| Analogue Outputs | Available via separate optional device |

| POWER | |
|------------------------|-------------------------------------------------------------------|
| Power Supply | 5 to 30 Vdc |
| Power (Nominal) 12 Vdc | 25 mA continuous high mode. 0.7 mA eco-power mode (1 hour polled) |

| ENVIRONMENTAL CONDITIONS | |
|--------------------------------|----------------------------------------------|
| IP Rating | 66 |
| Operational Temperature Range: | -40°C to +70°C |
| EMC Standard: | BS EN 61326 : 2013 FCC CFR47 parts 15.109 |
| CE Marking | YES |
| RoHS compliant | YES |
| Weight | 0.7 Kg |
| Origin | UK |

Specifications may be subject to change without prior notice

GILL

Gill Instruments Limited

Saltmarsh Park, 67 Gosport Street
Lymington, Hampshire SO41 9EG
United Kingdom

Tel: +44 (0) 1590 613 500
Fax: +44 (0) 1590 613 501
contact@gillinstruments.com



gillinstruments.com

1957-008 Iss 5

Copyright © Gill Instruments 2018

Gill Instruments Limited, Reg No. 2281574
Registered Office The George Business Centre, Christchurch Road, New Milton, BH25 6QJ