

GMX500 Compact Weather Station

High quality, easy-to-use, integrated weather station

MaxiMet compact weather stations are designed to be simple to install, use and maintain. In addition to providing measured parameters, the products derive additional parameters and data is output as a single string and available on a range of communications protocols.

MaxiMet weather stations benefit from the same technology used in Gill's scientific product range, ensuring measurement accuracy, low maintenance and continuous status reporting.

The MaxiMet family includes a range of sensor configurations allowing customers to select the model most appropriate to their needs.

Typical applications

- Control systems including smart buildings, agriculture and industry.
- Solar farms.
- Road and rail.
- Ports and harbours.
- Reporting systems for transport and safety.
- Low power/solar powered deployments and IoT applications.

MaxiMet GMX500 key features

- Five measured parameters:
Wind speed & direction, temperature, humidity, pressure, optional heating, optional GPS function.
- Multiple additional derived parameters based on combining measured parameters, such as gust, average wind speed and dew point.
- High quality, accurate, solid state sensors.
- 2-axis compass.
- Optional integrated GPS capability available to provide location, GPS timestamp and a calculation of true wind if the platform is moving.
- Optional low power heating

Benefits

- High quality measurement data due to careful sensor selection and extensive design testing and verification.
- Easy to set-up and integrate using comprehensive software to select the reported and derived parameters and measurement units required.
- Easy to install and long operational life, due to a compact, robust design and the selection of low maintenance sensors.
- Suitable for use with battery or solar systems in low power mode.



MaxiMet GMX500 measures 5 parameters.



MaxiMet compact weather stations are integrated into systems monitoring gas and particulate concentrations in the air.

GMX500 Compact Weather Station

High quality, easy-to-use, integrated weather station

WIND SPEED	
Range	0-60 m/s
Accuracy	0-10 m/s 0.3 m/s RMSE 10-40 m/s 3% RMSE 40-60 m/s 5% RMSE
Resolution	0.01 m/s
Units of measurement	m/s, km/h, mph, kts, ft/min

WIND DIRECTION	
Range	0-360°
Accuracy	0.5 m/s-40 m/s ±3° 40-60 m/s ±5°
Resolution	1°
Units of measurement	degrees

AIR TEMPERATURE	
Range	-40°C to +70°C with heating
Accuracy	±0.3°C
Resolution	0.1°C
Units of measurement	°C, °F, K

RELATIVE HUMIDITY	
Range	0-100% RH
Accuracy	typically ±2% RH across full range
Resolution	1% RH
Units of measurement	% RH, g/m ³

BAROMETRIC PRESSURE	
Range	300-1250 hPa
Accuracy	Absolute (typically) ±0.4 hPa 900-1100 hPa, 25-40°C Relative (typically) ±0.08 hPa
Resolution	0.1 hPa
Units of measurement	hPa, mbar, mmHg, inHg

WARRANTY	
Warranty	24 months

OUTPUTS	
Digital comms modes	RS232, RS422 RS485, SDI-12, NMEA 0183, MODBUS
Protocols	ASCII, SDI-12 v1.3, MODBUS (RTU and ASCII)
Data outputs rates	1/s, 1/min, 1/hour, or polled

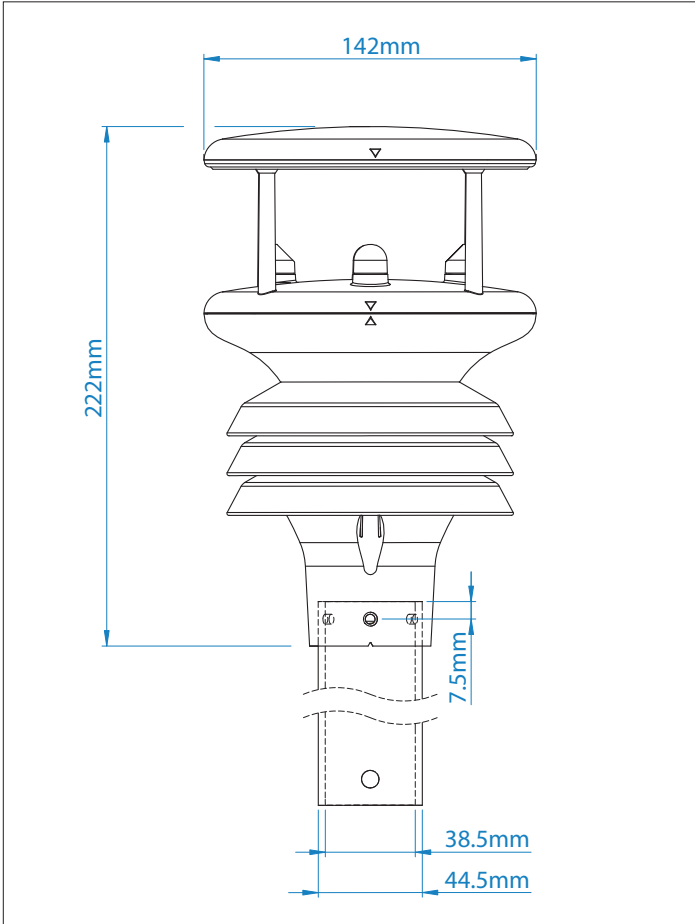
POWER SUPPLY	
Input voltage	5-30 VDC
Current spec @ 12VDC	25mA continuous mode (std unit) 400mA total with heating +10mA with GPS option 0.7mA eco-power mode

MECHANICAL	
Construction	UV stabilized thermoplastic
Fittings	Fit to 30mm to 58mm pole or mast
Weight	0.7 kg
Connector type	9-way clipper connector

ENVIRONMENTAL	
Protection class	IP66
Operating temp.	-35°C to +70°C -40°C to +70°C with heating option
Storage temp	-40°C to +70°C

STANDARD EQUIPMENT (supplied with product)	
MaxiMet product	
Mating connector	
MetSet software*, to set-up and configure MaxiMet (comms mode, measurement units, reporting intervals, derived parameters, etc.)	
MetView software*, to view reported parameters	
MaxiMet User Manual*	
* downloadable from Gill Instruments website	

OPTIONS	
GPS	Available as an option. Enables reporting of location, height, real time clock, true wind (for vehicle mounting applications)
Heating	Available as an option for operation in extremely low temperatures



EXAMPLE DERIVED PARAMETERS

A full list of derived parameters is available in the User Manual which can be downloaded from gillinstruments.com

Average wind speed	Sunrise
Average wind direction	Solar noon
Corrected wind speed	Twilight
Corrected wind direction	Sunset
Gust wind speed & direction	Position of sun
Dew point	Angle of tilt
Wind chill	Pressure at sea level
Absolute humidity	Heat index

ACCESSORIES

A list of the accessories available to support MaxiMet is provided on the MaxiMet Accessories Datasheet, which can be downloaded from gillinstruments.com

MaxiMet[®]
Compact Weather Stations
Reliable, high quality compact, integrated weather stations

MaxiMet weather stations are supported by a range of accessories. These accessories can be used to connect, install and maintain MaxiMet. The accessories have been designed or selected to ensure the long-term performance of MaxiMet products.

Accessories	Part Number
1. A full list of accessories for each model is provided in the User Manual	000000
2. A full list of accessories for each model is provided in the User Manual	000000
3. A full list of accessories for each model is provided in the User Manual	000000
4. A full list of accessories for each model is provided in the User Manual	000000
5. A full list of accessories for each model is provided in the User Manual	000000
6. A full list of accessories for each model is provided in the User Manual	000000
7. A full list of accessories for each model is provided in the User Manual	000000
8. A full list of accessories for each model is provided in the User Manual	000000
9. A full list of accessories for each model is provided in the User Manual	000000
10. A full list of accessories for each model is provided in the User Manual	000000
11. A full list of accessories for each model is provided in the User Manual	000000
12. A full list of accessories for each model is provided in the User Manual	000000
13. A full list of accessories for each model is provided in the User Manual	000000
14. A full list of accessories for each model is provided in the User Manual	000000
15. A full list of accessories for each model is provided in the User Manual	000000

Accessory Descriptions

- Connector (I-HS-PI-0609)**
An optional connector is available if required. The connector is compatible with all MaxiMet models and is supplied with pins.
- Cable for operational use**
The full cable can be used to connect MaxiMet to power and communication. The cable can be supplied as a 5m cable with pins fitted (I-HS-PI-0609) or by the meter (I-HS-PI-0609).
- Cable for setup configuration (I-HS-PI-0609)**
The cable can be used to connect a MaxiMet to USB port on a computer. Using the cable, the setup of the MaxiMet can be updated to suit a particular requirement. The cable is 5m long and supports a MaxiMet connector on one end and a USB connector on the other end.

gillinstruments.com

GILL

OTHER MAXIMET MODELS						
	Wind	Temperature, humidity, pressure	Rain	Solar	Compass, GPS	Low power heating
GMX200	Y				Y, as option	
GMX240	Y		Integrated optical rain sensor		Y, as option	
GMX300		Y				
GMX301		Y		Y		
GMX400		Y	Integrated optical rain sensor			
GMX501	Y	Y		Y	Y, as option	Y, as option
GMX550	Y	Y	Tipping bucket connector		Y, as option	Y, as option
GMX551	Y	Y	Tipping bucket connector	Y	Y, as option	Y, as option
GMX560	Y	Y			Y, as option	Y, as option
GMX600	Y	Y	Integrated optical rain sensor		Y, as option	Y, as option

For more information about MaxiMet[®], please contact Gill Instruments.

Designed and manufactured in the UK by Gill Instruments Limited.