

GMX400 Compact Weather Station

High quality, easy-to-use, integrated weather station

MaxiMet compact weather stations are designed to be simple to install, use and maintain. In addition to providing measured parameters, the products derive additional parameters and data is output as a single string and available on a range of communications protocols.

MaxiMet weather stations benefit from the same technology used in Gill's scientific product range, ensuring measurement accuracy, low maintenance and continuous status reporting.

The MaxiMet family includes a range of sensor configurations allowing customers to select the model most appropriate to their needs.

Typical applications

- Control systems including smart buildings, agriculture and industry.
- Solar farms.
- Road and rail.
- Ports and harbours.
- Reporting systems for transport and safety.
- Low power/solar powered deployments and IoT applications.

MaxiMet GMX400 key features

- Four measured parameters:
Temperature, humidity, pressure, rainfall (optical sensor).
- Multiple additional derived parameters based on combining measured parameters, such as dew point, pressure at sea level and heat index.
- High quality, accurate, solid state sensors.

Benefits

- High quality measurement data due to careful sensor selection and extensive design testing and verification.
- Easy to set-up and integrate using comprehensive software to select the reported and derived parameters and measurement units required.
- Easy to install and long operational life, due to a compact, robust design and the selection of low maintenance sensors.
- Suitable for use with battery or solar systems in low power mode.



MaxiMet GMX400 measures 4 parameters including precipitation.



MaxiMet compact weather stations are integrated into systems monitoring gas and particulate concentrations in the air.

GMX400 Compact Weather Station

High quality, easy-to-use, integrated weather station

AIR TEMPERATURE	
Range	-35°C to +70°C
Accuracy	±0.3°C
Resolution	0.1°C
Units of measurement	°C, °F, K

RELATIVE HUMIDITY	
Range	0-100% RH
Accuracy	typically ±2% RH across full range
Resolution	0.1% RH
Units of measurement	% RH, g/m ³

BAROMETRIC PRESSURE	
Range	300-1250 hPa
Accuracy 900-1100 hPa, 25-40°C	Absolute (typically) ±0.4 hPa Relative (typically) ±0.08 hPa
Resolution	0.1 hPa
Units of measurement	hPa, mbar, mmHg, inHg

PRECIPITATION	
Measurement type	Optical
Range	0-300 mm/hr
Resolution	0.08 mm
Units of measurement	mm/hr, mm total, in/hr, in total

WARRANTY	
Warranty	24 months

OUTPUTS	
Digital comms modes	RS232, RS422 RS485, SDI-12,
Protocols	ASCII, SDI-12 v1.3, NMEA 0183 MODBUS (RTU and ASCII)
Data outputs rates	1/s, 1/min, 1/hour, or polled

POWER SUPPLY	
Input voltage	5-30 VDC
Average current consumption @ 12VDC	45 mA continuous mode (std unit) 1.3 mA eco-power mode (1/hr)

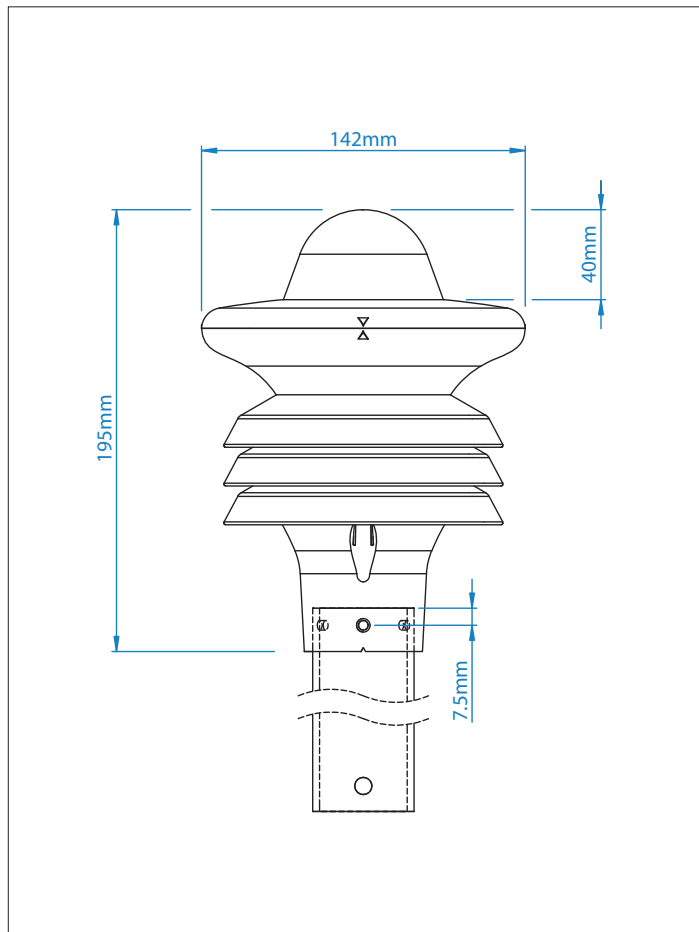
MECHANICAL	
Construction	UV stabilized thermoplastic
Fittings	Fit to 44.45 mm (1.75 in) pole or mast
Weight	0.5 kg
Connector type	9-way clipper connector

ENVIRONMENTAL	
Protection class	IP66
Operating temp.	-35°C to +70°C
Storage temp	-40°C to +70°C

STANDARD EQUIPMENT (supplied with product)	
MaxiMet product	
Mating connector	
MetSet software*, to set-up and configure MaxiMet (comms mode, measurement units, reporting intervals, derived parameters, etc.)	
MetView software*, to view reported parameters	
MaxiMet User Manual*	
* downloadable from Gill Instruments website	

GMX400 Compact Weather Station

High quality, easy-to-use, integrated weather station



EXAMPLE DERIVED PARAMETERS FOR MAXIMET RANGE (model dependent)

A full list of derived parameters is available in the User Manual, downloadable from gillinstruments.com

Average wind speed *	Sunrise
Average wind direction *	Solar noon
Corrected wind speed	Twilight
Corrected wind direction	Sunset
Gust wind speed & direction *	Position of sun
Dew point	Angle of tilt
Wind chill	Pressure at sea level
Absolute humidity	Heat index

* WMO compliant

ACCESSORIES

A list of the accessories available to support MaxiMet is provided on the MaxiMet Accessories Datasheet, which can be downloaded from gillinstruments.com

MaxiMet® Compact Weather Stations

Full range, high quality compact, integrated weather stations

MaxiMet weather stations are supported by a range of accessories. These accessories can be used to connect, install and maintain MaxiMet. The accessories have been designed to support the long term performance of MaxiMet products.

Accessories	Part Number
MaxiMet weather station	1957-007
MaxiMet weather station	1957-008
MaxiMet weather station	1957-009
MaxiMet weather station	1957-010
MaxiMet weather station	1957-011
MaxiMet weather station	1957-012
MaxiMet weather station	1957-013
MaxiMet weather station	1957-014
MaxiMet weather station	1957-015
MaxiMet weather station	1957-016
MaxiMet weather station	1957-017
MaxiMet weather station	1957-018
MaxiMet weather station	1957-019
MaxiMet weather station	1957-020
MaxiMet weather station	1957-021
MaxiMet weather station	1957-022
MaxiMet weather station	1957-023
MaxiMet weather station	1957-024
MaxiMet weather station	1957-025
MaxiMet weather station	1957-026
MaxiMet weather station	1957-027
MaxiMet weather station	1957-028
MaxiMet weather station	1957-029
MaxiMet weather station	1957-030
MaxiMet weather station	1957-031
MaxiMet weather station	1957-032
MaxiMet weather station	1957-033
MaxiMet weather station	1957-034
MaxiMet weather station	1957-035
MaxiMet weather station	1957-036
MaxiMet weather station	1957-037
MaxiMet weather station	1957-038
MaxiMet weather station	1957-039
MaxiMet weather station	1957-040
MaxiMet weather station	1957-041
MaxiMet weather station	1957-042
MaxiMet weather station	1957-043
MaxiMet weather station	1957-044
MaxiMet weather station	1957-045
MaxiMet weather station	1957-046
MaxiMet weather station	1957-047
MaxiMet weather station	1957-048
MaxiMet weather station	1957-049
MaxiMet weather station	1957-050
MaxiMet weather station	1957-051
MaxiMet weather station	1957-052
MaxiMet weather station	1957-053
MaxiMet weather station	1957-054
MaxiMet weather station	1957-055
MaxiMet weather station	1957-056
MaxiMet weather station	1957-057
MaxiMet weather station	1957-058
MaxiMet weather station	1957-059
MaxiMet weather station	1957-060
MaxiMet weather station	1957-061
MaxiMet weather station	1957-062
MaxiMet weather station	1957-063
MaxiMet weather station	1957-064
MaxiMet weather station	1957-065
MaxiMet weather station	1957-066
MaxiMet weather station	1957-067
MaxiMet weather station	1957-068
MaxiMet weather station	1957-069
MaxiMet weather station	1957-070
MaxiMet weather station	1957-071
MaxiMet weather station	1957-072
MaxiMet weather station	1957-073
MaxiMet weather station	1957-074
MaxiMet weather station	1957-075
MaxiMet weather station	1957-076
MaxiMet weather station	1957-077
MaxiMet weather station	1957-078
MaxiMet weather station	1957-079
MaxiMet weather station	1957-080
MaxiMet weather station	1957-081
MaxiMet weather station	1957-082
MaxiMet weather station	1957-083
MaxiMet weather station	1957-084
MaxiMet weather station	1957-085
MaxiMet weather station	1957-086
MaxiMet weather station	1957-087
MaxiMet weather station	1957-088
MaxiMet weather station	1957-089
MaxiMet weather station	1957-090
MaxiMet weather station	1957-091
MaxiMet weather station	1957-092
MaxiMet weather station	1957-093
MaxiMet weather station	1957-094
MaxiMet weather station	1957-095
MaxiMet weather station	1957-096
MaxiMet weather station	1957-097
MaxiMet weather station	1957-098
MaxiMet weather station	1957-099
MaxiMet weather station	1957-100

Accessories Descriptions

- Connector (1957-009)**
A replacement connector is available. Equipped. The connector is compatible with all MaxiMet models and is supplied with gels.
- Cable for operational use**
The 4-pin cable can be used to connect MaxiMet to power and communication. The cable can be applied to a 4-pin cable with pins: Pin1 (+5V), Pin2 (GND), Pin3 (RS485+), Pin4 (RS485-).
- Cable for setup configuration (1957-10065)**
This cable is used to connect MaxiMet to a PC port on a computer. Using MaxiMet, the setup of the MaxiMet unit can be configured to meet the requirements. The cable is 1.5m long and is supplied with a MaxiMet connector on one end and a USB connector on the other end.

gillinstruments.com



OTHER MAXIMET MODELS

	Wind	Temperature, humidity, pressure	Rain	Solar	Compass, GPS	Low power heating
GMX200	Y				Y, as option	
GMX240	Y		Integrated optical rain sensor		Y, as option	
GMX260	Y				Y 6-axis, option	
GMX300		Y				
GMX301		Y		Y		
GMX500	Y	Y			Y, as option	Option
GMX501	Y	Y		Y	Y, as option	Option
GMX550	Y	Y	Tipping bucket connector		Y, as option	Option
GMX551	Y	Y	Tipping bucket connector	Y	Y, as option	Option
GMX560	Y	Y			Y 6-axis, option	Option
GMX600	Y	Y	Integrated optical rain sensor		Y, as option	Option

For more information about MaxiMet®, please contact Gill Instruments.

Designed and manufactured in the UK by Gill Instruments Limited.